

18T Dropside 4x4



DESCRIPTION

4X4 CRANE TRUCK

Chassis: Mercedes AXOR 1824AK 4x4, Euro 5, S E Day Cab

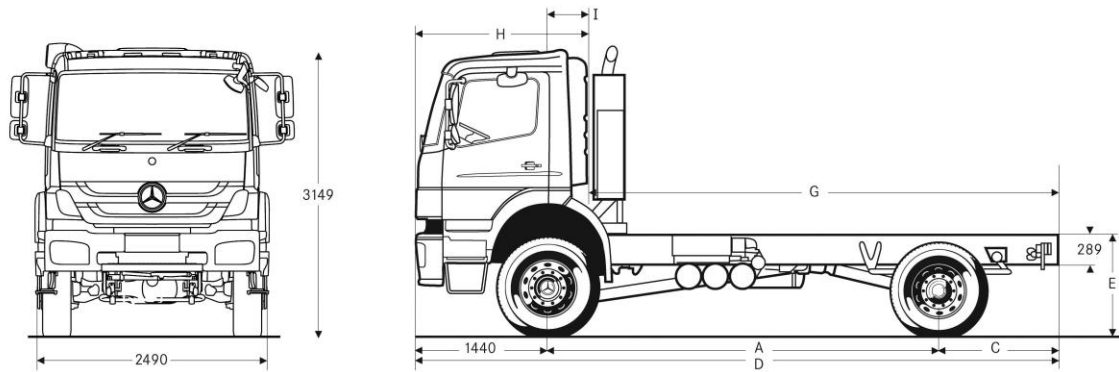
Body: Double Alloy dropside 3.15m high, 6.2m long, 2.58m wide, 1.54m bed height, Removable rear corner posts, Front and Rear pole gantries. Capable of carrying 16 mtr poles under an escort.

Crane: Hiab 122 Hi Duo, Remote Control

Capacity: 4000kg @ 2.8m, 2500kg @ 4.4m, 1800kg @ 6.2m, 1300kg @ 8.2m

Towbar: 3.5T dual purpose hitch

Other: Beacon Bar on Cab Roof, Reversing camera and alarm



dimensions (mm)

A	Wheelbase	3600
C	Rear overhangs	1150
D	Overall length	6255
E	Frame height at front axle	1223
F	Frame height at rear axle	1295
G	Back of cab to end of frame	4360
H	Bumper to back of cab	1830
I	Cab rear to front axle	390
	Ground clearance front	354
	Ground clearance rear	326
	Frame width (at rear)	763
	Turning circle (wall to wall) m	15.3

weights (kg)

1824AK

Wheelbase	3600
Kerb Weights	
Front axle	4039
Rear axle	1856
Total	5895